

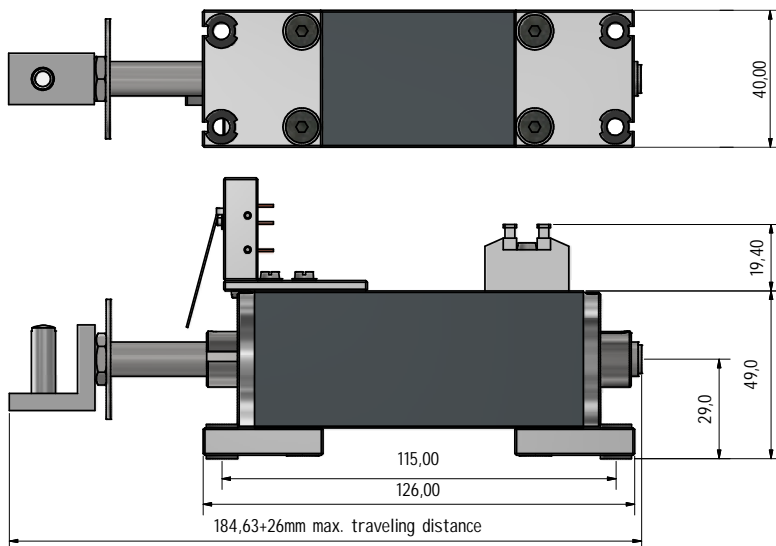
Whatever you touch and hear
in organ building: you'll always come
across on of our ideas.



HEUSS Stop magnet R20

Our new organ stop action magnet R20 incorporates more innovation than you might think. The new internal stop changes everything. It makes adjusting much easier and subsequent maintenance / servicing of the internal moving parts finally possible.

The magnet is in elegant midnight blue, which harmonises extremely well optically with the silver-coloured components. The current design allows you to take out all the internal parts. Bearing can for example thus be replaced. The magnet is then like new. There can be no better service life conditions for organ stop action magnets.



By optimising design we have managed to achieve movement of 0-25 mm with the usual tensile force of 20 N (2 kgs) with the magnet.

Type	Order number	Force at operating voltage	Travel	Dimensions	Voltage	Ampere
R20	4992-024	20N (2kg)	0-25mm	40x40x126	24V=	1,2A
R20	4992-014	20N (2kg)	0-25mm	40x40x126	14V=	2,1A

The stop magnet R 20 can optionally be equipped with hooks or a clevis yokes on one or both sides and micro-switches.

Look forward to OTTO HEUSS's innovations.
Quality in organ design has never been so good.
Get in touch with us if you would like further information.
We would be happy to visit you or have you come to see us.

