

## Data sheet for OTTO HEUSS stop switch 5014

For actuation of:  
self positioning tilting tablet, for consoles

Order number: 5014-014 14V Coil

Order number: 5014-024 24V Coil

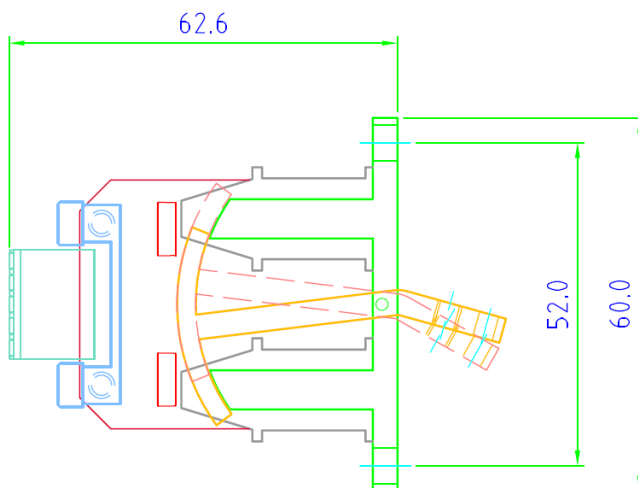


### 1 Advantages at a glance

- Purely electrical circuit without electronics, for long service life
- Low-wear reed contact, for long service life
- Brass bearing bush, for long service life
- Push-in cable connector, for easy connection of the cables and disconnection of the connector
- Very small design
- Travel regulation from "back side"

### 2 Mechanical Data

(for Organbuilders)



**Attention:** Please note that if the travel is adjusted too low, the reed switch may work unreliably.

# Datasheet for Stop Switch 5014

## 3 Electrical Data (for Organbuilders)

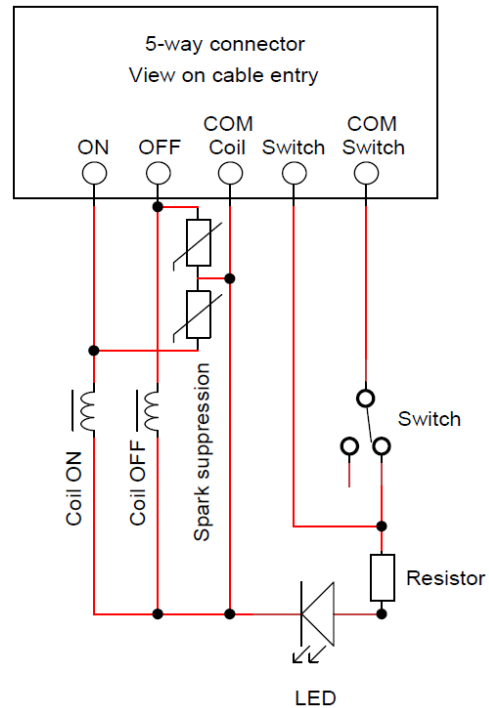
### Connection of the cables:

- ON**= Signal coming from the setter for ON
- OFF**= signal coming from the setter for OFF
- Common coil** = usually negative (in Europe)
- Switch** = signal to setter/register
- Common switch** = usually positive (in Europe)

Coil resistance 14V: 35Ω  
Coil resistance 24V: 100Ω

The built-in LED lights up when the register switch is operated in the ON position, provided the +/- polarity is connected according to standard.

The connector can be unplugged, for simplified connection and rigid conductors can be plugged in directly without releasing the cable lock.



## 4 Electronical Data (for electronic engineers/programmers)

**Energization:** To perform a clean motion process, it is recommended to energize the coils for 300ms each.

**Bouncing:** To avoid bouncing of the electronic setter input, it is recommended not to poll until 500ms after the start of the switching operation of the stop switch.

### 5 Precautionary measures

To ensure safe operation, the following precautions must be observed:

- Avoid placing the unit near heat sources and/or in humid and/or dusty places.
- To avoid damage, the unit must be securely and stably fastened due to high workloads.
- An organ is an electrical installation and must be wired, connected, and commissioned professionally and in accordance with applicable standards and regulations.
- Avoid strong vibrations during transport, as these can damage the product.
- The device should not be placed near installations that emit high-frequency waves, such as television sets, radio receivers, microphone systems, transmitter masts, etc.
- Strict care must be taken to ensure that no liquids or metal shavings reach the device, as these can cause damage.
- Do not carry out any unauthorized work on the electronic system.
- In the event of a defect, contact the manufacturer.
- Never reach between magnet and attachment. There is a high workload. Danger of crushing!

### 6 Warranty

- The company Otto Heuss GmbH provides a two-year warranty from the date of delivery.
- Otto Heuss GmbH is not responsible for damage caused by incorrect handling.
- The company Otto Heuss GmbH assumes no responsibility for cancelled or impaired concerts, events, or performances.

### 7 Disposal

Electrical appliances that are no longer required or are defective should not be disposed of in the household waste; they must be taken to a local collection point for proper disposal.

Used batteries and electrical appliances must be disposed of separately in accordance with applicable regulations.

