

Whatever you touch and hear  
in organ building: you'll always come  
across on of our ideas.

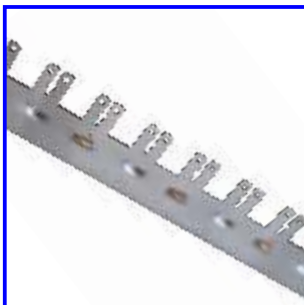
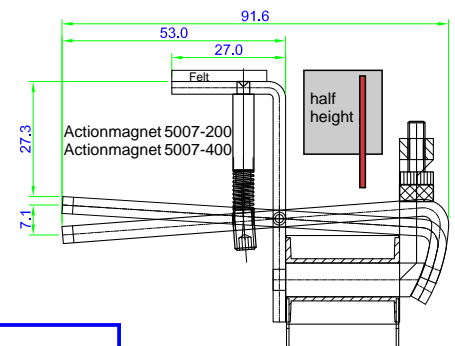


## HEUSS Bus bar system

The Heuss group bus bar system saves space and makes group wiring in and on the windchest simple and economical.

HEUSS magnets can be ordered with appropriate flat plug sleeves.

- High current up to 63 A
- Space-saving, only 14 mm wide and 30 mm high overall or 15 mm high (half height).
- Rugged fastening in the organ with screw-in end stop
- Positive and negative poles can be installed adjacent to one another in the well insulated railing.
- Quick wiring as the magnets have flat plug sleeving - but soldering can be used if needed.



**4265-100  
Bus bar**  
- Zinc-plated copper rail  
- 1824 mm long  
- 63 A  
- for flat plug sleeves  
2.8 mm and 6.3 mm



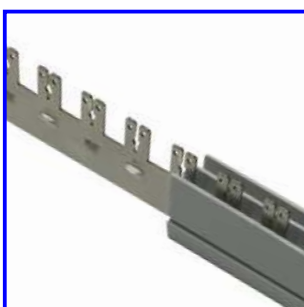
**4265-103  
End stop**  
- Insulating plastic  
- An end stop screwed in at each end of the insulating railing keeps the same in position



**4265-101  
Insulating rail**  
- Insulating plastic  
- 1900 mm long  
- for up to two bus bars of differing potential (+/-)



**4265-104  
Supply plug**  
- Insulating plastic  
- 125 A  
- Lift terminal  
- Rigid wire 10 mm<sup>2</sup> - 25 mm<sup>2</sup>  
- Litz wire 10 mm<sup>2</sup> - 16 mm<sup>2</sup>



**4265-102  
Insulating rail, half height**  
- Insulating plastic  
- 950 mm long  
- to make the wiring more accessible if it has only one pole



**Flat plug sleeves for cable**  
**4265-105**  
2.8 mm wide for 25 to 22 AWG  
**4265-106**  
2.8 mm wide for 20 to 17 AWG  
**4265-107**  
6.3 mm wide for 15 to 13 AWG  
**4265-108**  
6.3 mm wide for 11 to 9 AWG  
**Our wire flat plug pliers 6060-031 are just right for our wire flat plug sleeves 20 to 9 AWG.**